

12ft Feather Flag Pole Set

Step 1 :

Check to make sure all parts in the first diagram are included. Insert the narrower pole arc piece (#1) into the wider pole arc piece (#2) until button snaps into place. Connect the three straight pole pieces, the widest piece (#5) at the bottom, the narrowest (#3) at the top. Then, slide the arc pole piece into the top (#3).

Step 2 :

Slide the end of the pole arc into the sleeve of the feather flag. Slide the feather flag down until the pole arc has reached the end of the sleeve.

Step 3 :

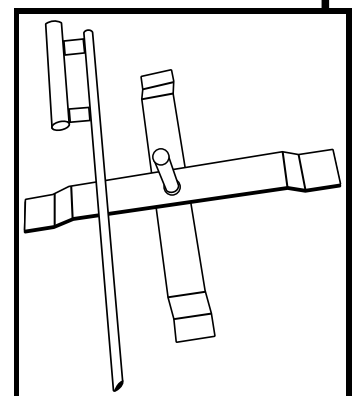
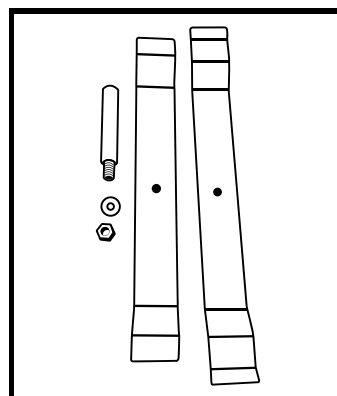
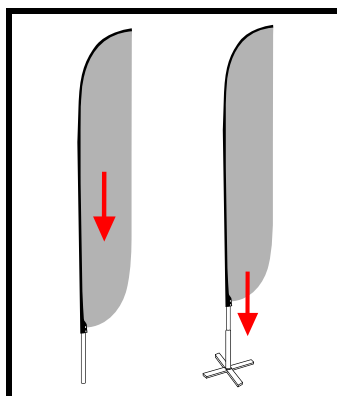
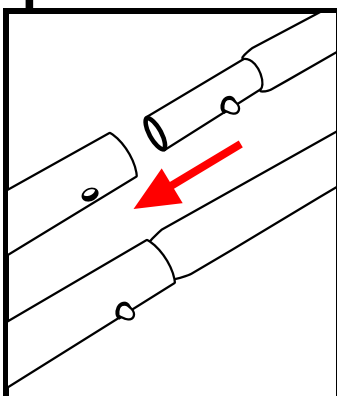
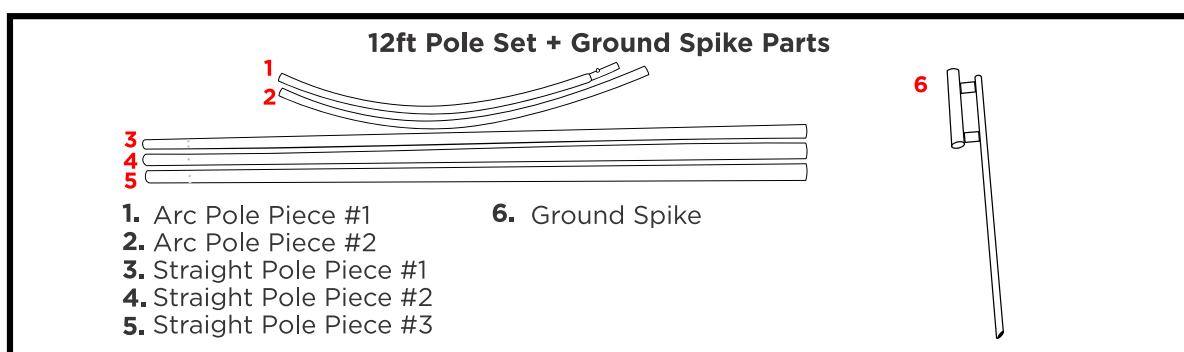
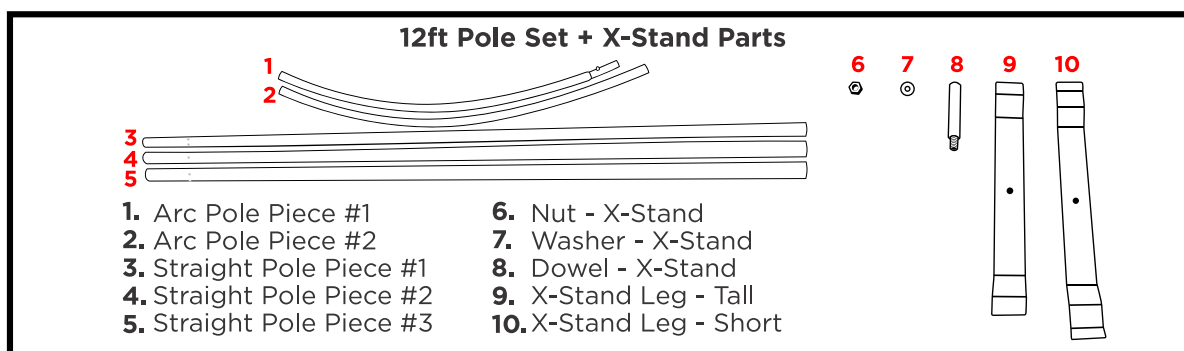
If using a ground spike, first stick the spike into the ground by hammering the solid top of the spike (not the pole set receptacle hole), until secured into the ground. Then continue to step 5 below.

Step 4 :

If using an X Stand, place the taller leg across the shorter leg. Insert the threaded end of the X Stand dowel through both legs. Put the washer on before tightening down the dowel with the nut. Then continue to step 5 below.

Step 5 :

Slide the end of the fully assembled feather flag pole into or over the receptacle of the chosen base unit.



12ft Feather Flag Pole Set

Step 1 :

Check to make sure all parts in the first diagram are included. Insert the narrower pole arc piece (#1) into the wider pole arc piece (#2) until button snaps into place. Connect the three straight pole pieces, the widest piece (#5) at the bottom, the narrowest (#3) at the top. Then, slide the arc pole piece into the top (#3).

Step 2 :

Slide the end of the pole arc into the sleeve of the feather flag. Slide the feather flag down until the pole arc has reached the end of the sleeve.

Step 3 :

If using a ground spike, first stick the spike into the ground by hammering the solid top of the spike (not the pole set receptacle hole), until secured into the ground. Then continue to step 5 below.

Step 4 :

If using an X Stand, place the taller leg across the shorter leg. Insert the threaded end of the X Stand dowel through both legs. Put the washer on before tightening down the dowel with the nut. Then continue to step 5 below.

Step 5 :

Slide the end of the fully assembled feather flag pole into or over the receptacle of the chosen base unit.

