

# 5ft Feather Flag Pole Set

## Step 1 :

Check to make sure all parts in the first diagram are included. Insert pole #1 (the fiberglass piece) into pole #2, and finally insert both into pole #3.

## Step 2 :

Slide the end of pole #1 into the sleeve of the feather flag. Slide the feather flag down until the pole has reached the end of the sleeve.

## Step 3 :

Find the black loop at the bottom of the feather flag. Hook this onto the loop holder piece on pole #3. Slide the feather flag loop holder down the shaft of the pole until the feather flag achieves a good clean shape. Tighten down the loop holder by turning the knob clockwise.

## Step 4 :

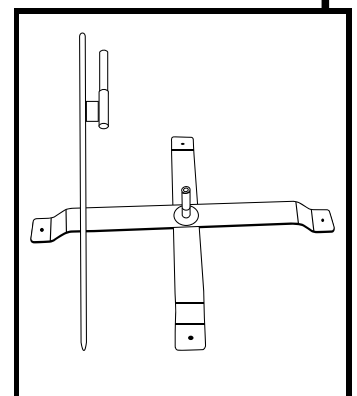
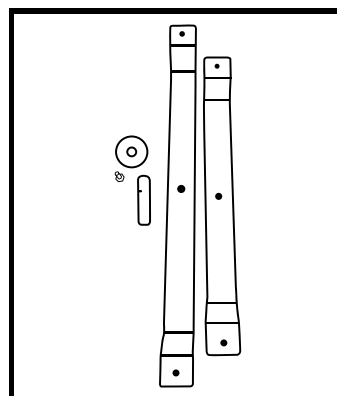
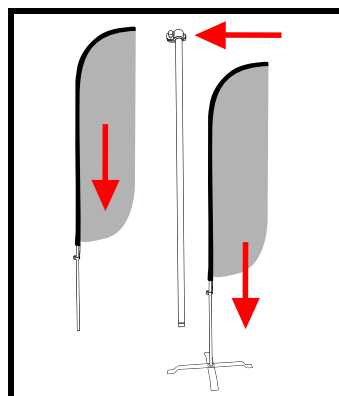
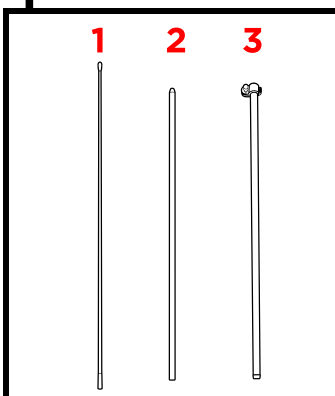
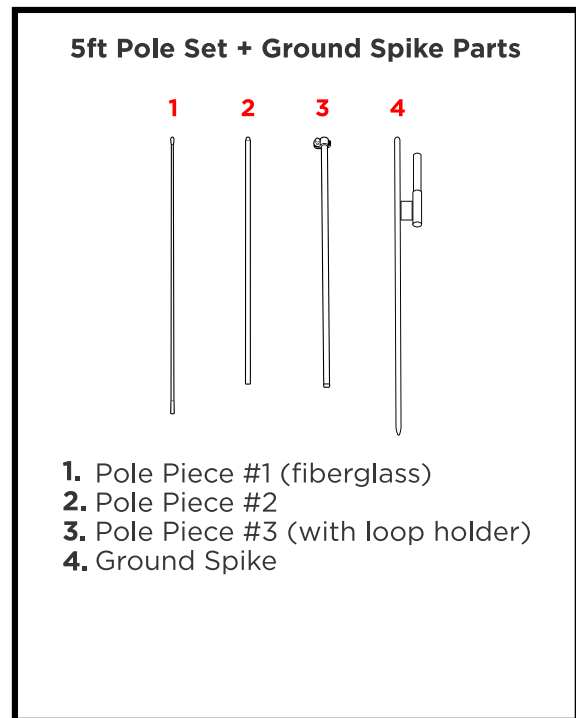
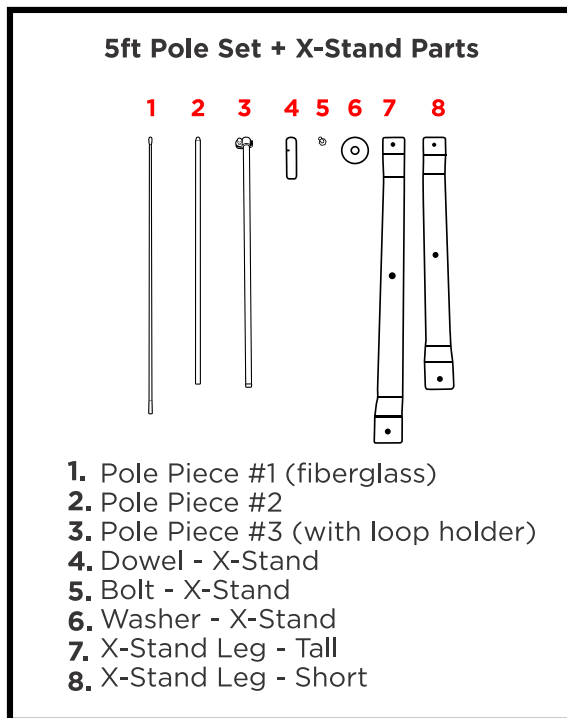
If using a ground Spike, first stick the spike into the ground by hammering the solid top of the spike (not the pole set receptacle tab), until secured into the ground. Then continue to step 6 below.

## Step 5 :

If using a X Stand, place the taller leg across the shorter leg. Insert the bolt through both legs from underneath, place the washer on, then screw the bolt into the bottom of the dowel. Then continue to step 6 below.

## Step 6 :

Insert the end of the fully assembled feather flag pole over the receptacle of the chose base unit.



# 5ft Feather Flag Pole Set

## Step 1 :

Check to make sure all parts in the first diagram are included. Insert pole #1 (the fiberglass piece) into pole #2, and finally insert both into pole #3.

## Step 2 :

Slide the end of pole #1 into the sleeve of the feather flag. Slide the feather flag down until the pole has reached the end of the sleeve.

## Step 3 :

Find the black loop at the bottom of the feather flag. Hook this onto the loop holder piece on pole #3. Slide the feather flag loop holder down the shaft of the pole until the feather flag achieves a good clean shape. Tighten down the loop holder by turning the knob clockwise.

## Step 4 :

If using a ground Spike, first stick the spike into the ground by hammering the solid top of the spike (not the pole set receptacle tab), until secured into the ground. Then continue to step 6 below.

## Step 5 :

If using a X Stand, place the taller leg across the shorter leg. Insert the bolt through both legs from underneath, place the washer on, then screw the bolt into the bottom of the dowel. Then continue to step 6 below.

## Step 6 :

Insert the end of the fully assembled feather flag pole over the receptacle of the chose base unit.

