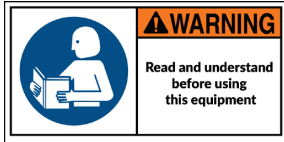


5ft Feather Flag & Pole Set Safety Instructions



- **⚠ Warning.** Only use feather flag & pole set in area clear of power lines, structures, trees, cars, buildings, people, hazardous weather etc...
- Ensure feather flag & pole set is only used in clear open area to avoid damaging or creating hazardous situations.
- **⚠ Warning.** Do not use if winds exceed 18 mph.
- Install at least 8 feet away from road.
- Do not use feather flag & pole set if showing any sign of damage. Check for damage before each use.
- Do not use aftermarket parts.
- Do not modify in any way.
- Only assemble pole components in clear open area free of any hazards.
- Do not use in dangerous environments.
- Do not force pole set pieces together. Pole pieces fit together when assembled properly.
- Use personal protective equipment such as protective eyewear and gloves when setting up.
- Only set up feather flag & pole set using secured system. Examples of secured systems include ground spike, anchored X-stand, company provided base unit, etc...
- Store feather flag & pole set indoors when not in use.

Ground Spike

- **⚠ Caution.** Do not hammer pole set receptacle hole when securing spike in ground. Only hammer solid top of the spike.
- Use rubber mallet to force spike into the ground.
- Only use if spike is hammered all the way into the ground, at minimum 16 inches, so that pole receptacle is the only component above ground.
- Only use ground spike in flat, stable, and dry ground.
- Use personal protective equipment such as protective eyewear and gloves when setting up.

X-stand

- **⚠ Warning.** Only use X-stand indoors or in areas with less than 1 mph winds.
- Only use X-stand when anchored with water bag, sand bag, or other anchoring system.
- Always put washer on before tightening down the dowel with nut.
- Always operate on flat, stable, and dry surface.
- Use personal protective equipment such as protective eyewear and gloves when setting up.

5ft Feather Flag Pole Set

Step 1 :

Check to make sure all parts in the first diagram are included. Insert pole #1 (the fiberglass piece) into pole #2, and finally insert both into pole #3.

Step 2 :

Slide the end of pole #1 into the sleeve of the feather flag. Slide the feather flag down until the pole has reached the end of the sleeve.

Step 3 :

Find the black loop at the bottom of the feather flag. Hook this onto the loop holder piece on pole #3. Slide the feather flag loop holder down the shaft of the pole until the feather flag achieves a good clean shape. Tighten down the loop holder by turning the knob clockwise.

Step 4 :

If using a ground Spike, first stick the spike into the ground by hammering the solid top of the spike (not the pole set receptacle hole), until secured into the ground. Then continue to step 6 below.

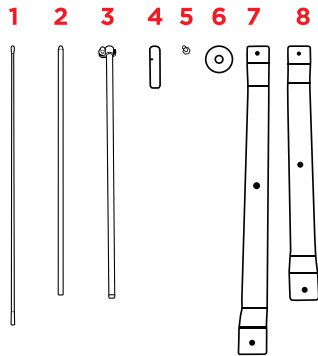
Step 5 :

If using a X Stand, place the taller leg across the shorter leg. Insert the threaded bolt of the pole set receptacle rod through both legs. Put the washer on before tightening down the bolt with the nut. Then continue to step 6 below.

Step 6 :

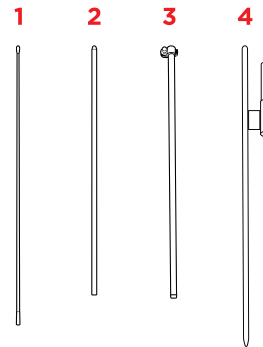
Insert the end of the fully assembled feather flag pole into the receptacle of the chosen base unit.

5ft Pole Set + X-Stand Parts



1. Pole Piece #1 (fiberglass)
2. Pole Piece #2
3. Pole Piece #3 (with loop holder)
4. Dowel - X-Stand
5. Bolt - X-Stand
6. Washer - X-Stand
7. X-Stand Leg - Tall
8. X-Stand Leg - Short

5ft Pole Set + Ground Spike Parts



1. Pole Piece #1 (fiberglass)
2. Pole Piece #2
3. Pole Piece #3 (with loop holder)
4. Ground Spike

